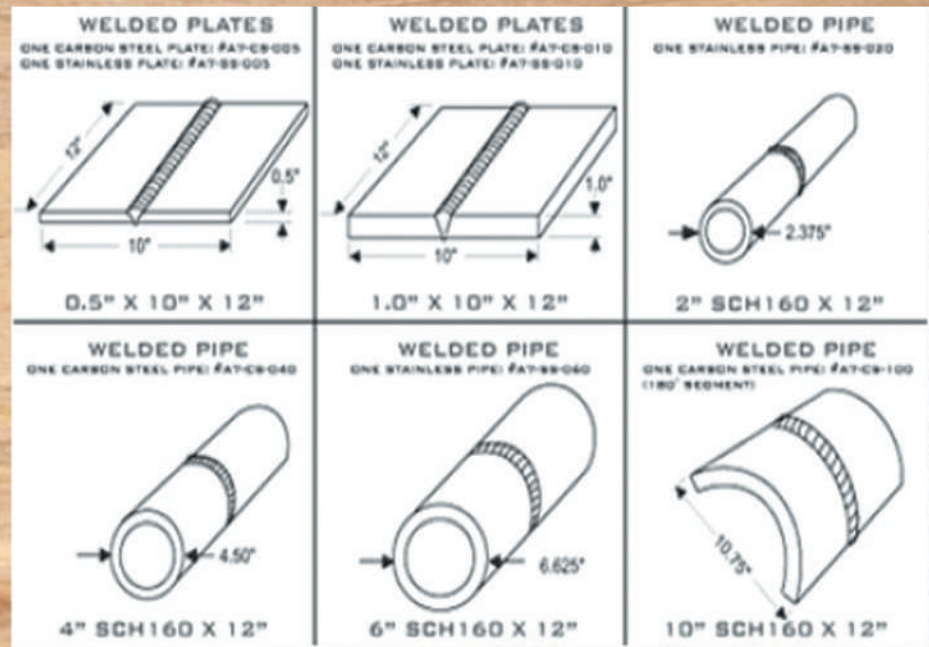


NDT ASME Section XI, Appendix VII Kit



NDT ASME Section XI, Appendix VII Kit

Geometry: Kit contains 8 specimens

- (2) Plates @ 0.5"T
- (2) Plate @ 1.0"T
- (1) Pipe @ 2" Sch160 (360°)
- (1) Pipe @ 4" Sch160 (360°)
- (1) Pipe @ 6" Sch160 (360°)
- (1) Pipe @ 10" Sch160 (180°)

Material: 4 carbon steel specimens & 4 stainless steel specimens.

Documentation: NDT Verification Reports, C of C, CAD Drawings and Test Sheets.

**NDE TECH
India.**

www.ndetech.org.in
info@ndetech.org.in
sales@ndetech.org.in
+91-44-24763755